



www.esbe.se



SERIES VRB140

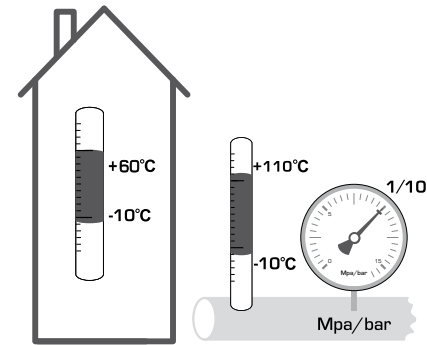


NO.1 IN HYDRONIC SYSTEM CONTROL

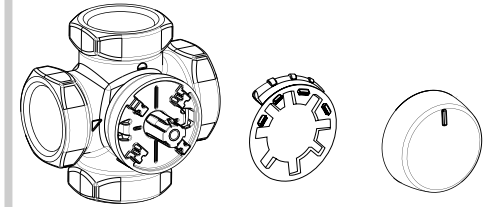


Series VRB141
Series VRB142
Series VRB143

CE
Pressure Equipment Directive 97/23/EC

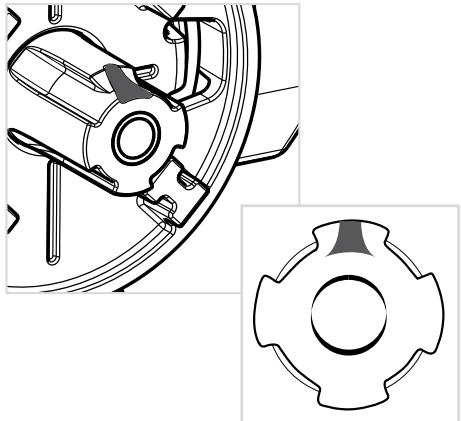


1



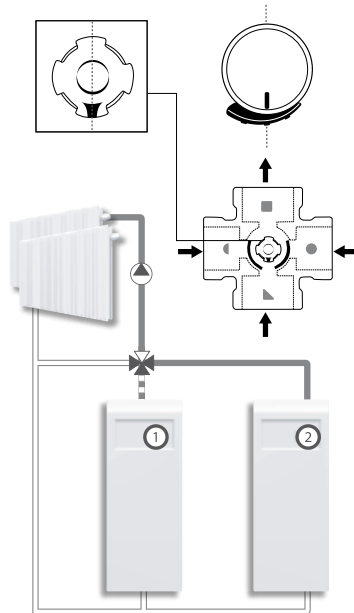
Mtrl.nr: 9814 02 71 • Ritn.nr: 7047 utg. D • Rev. 1106

i

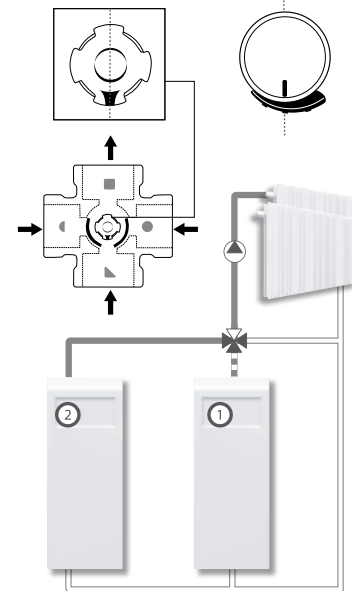


2

a



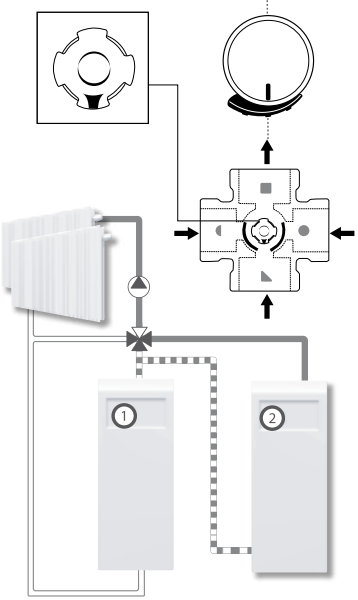
b



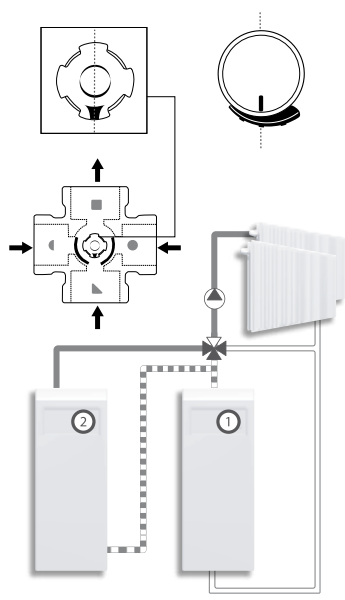
Piping Schematics are General Representations

3

a

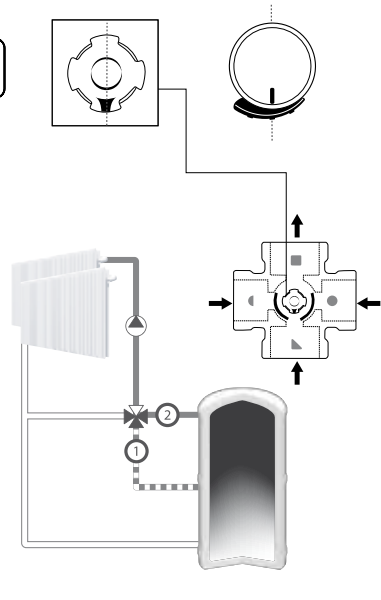


b

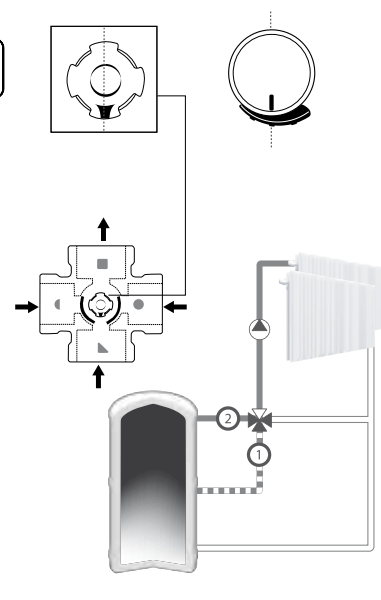


4

a

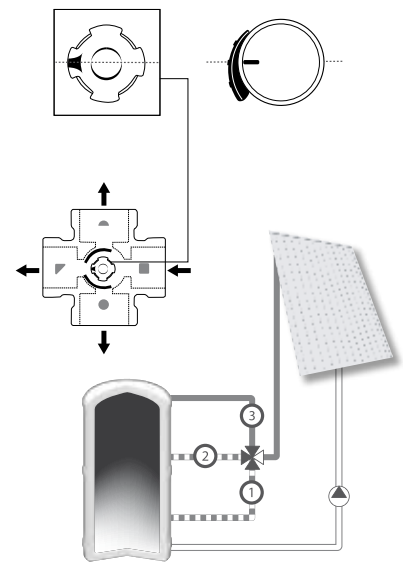


b

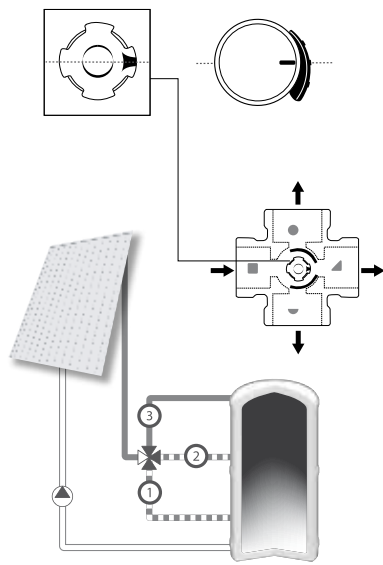


5

a



b



*We would like to pinpoint to the existence of a German patent DE 19821256C5 affecting the usage of bi-valent 4-way valves in liquid circulation heating systems. In this patent the usage of a 4-way bi-valent valve in a type of heating system protected, in which 2 different heating circuits are operated in parallel, where the return of the first circuit is utilized as heatsource and a parallel floor heating, where the floor heating in a regulated manner is heated through its heatsource and the return from the primary circuit the return of the second circuit. A typical application would be a primer heat circuit with a heatsource and a parallel floor heating, where the floor heating in a regulated manner is heated through its heatsource and the return from the primary circuit the return of the second circuit. All other applications our product group VBB are without restrictions possible.



"Denna produkt är anpassad till Branschregler och Säker Vatteninstallation. Leverantören garanterar produktens funktion om branschreglerna och monteringsanvisningen följs."